

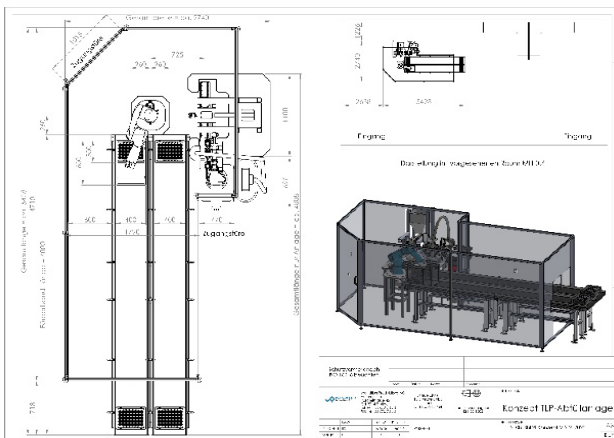
ENGINEERING SERVICES

AUTOMATED SYSTEMS

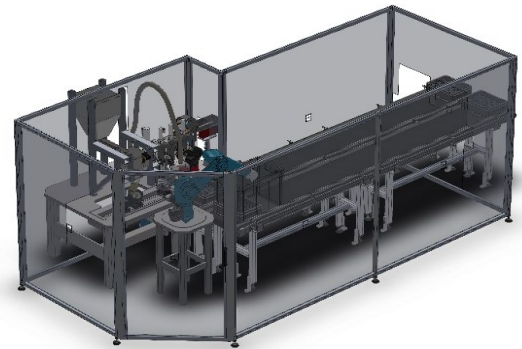
Wapro's automation team has many years of experience and provides support in planning, carrying out feasibility studies and designing systems or machines. Projects for automation systems range from simple mounting aids to fully integrated solutions with several workstations. The planning and construction phase depends strongly on the complexity of the required work steps on the installation. This phase may take up to several months. The implementation time, however, is only a few weeks to months. The appropriate package of engineering tasks can be put together on a customer-specific basis.

The engineering services include:

- Feasibility study
- Risk analysis
- Pre-project
- Test series with corresponding evaluations
- Design and construction of the special system
- Drawing work on a subcontract basis



Dimension plan



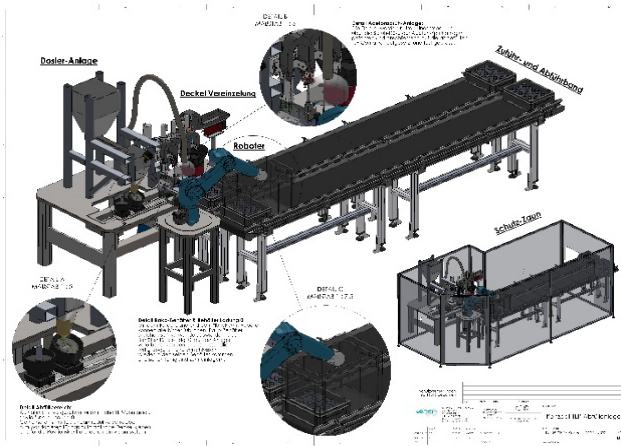
Example 3D model of a complete plant from Solid Works

Depending on the quantities involved, the different systems differ mainly in their degree of automation. This is determined together with the customer to find the most efficient and cost-effective solution for the respective application. The possibility to design and manufacture the parts required for an automation solution in-house, results in cost-effective systems with short delivery times that are precisely adapted to customer requirements. The latest calculation and design tools are used and value is placed on simple and reliable data exchange as well as open and uncomplicated communication with the customer.

FEATURES

- Development, design and construction of an application-specific automation system
- CE certification on customer request
- Compliance with all laws and regulations applicable in Switzerland according to the Machinery Directive 2006/42/EC as well as the corresponding standards according to EN/ISO
- Monitoring of the overall project from the specifications to and including system acceptance
- Repair and customer service on site
- Support for any expansion, modification or adaptation projects over many years





Concept planning with detailed description

CONFORMITY

All automation solutions are developed and built according to current Swiss and EU standards. Other specifications, such as a system with explosion protection certificate, can be realised on customer request.

SERVICES AND SUPPORT

Wandfluh Produktions AG offers complete solutions from a single source. The development of a customised system is under the same roof as the calculation and design, the manufacture of the required special parts and the assembly and programming of the entire system or individual modules.

- Support with the creation of a requirement specification sheet
- Elaboration of the customer's specifications
- Rough and detailed concept with layout drawings
- Realisation with initial acceptance in the factory at Wapro
- Transport to site and commissioning
- Final acceptance at the customer's site
- Operating instructions and declarations of conformity
- Support and service
- Customer service

